

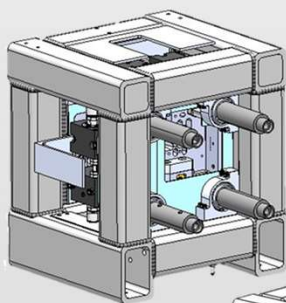
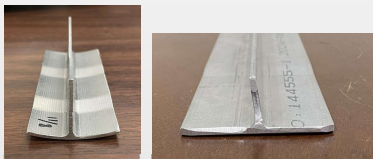
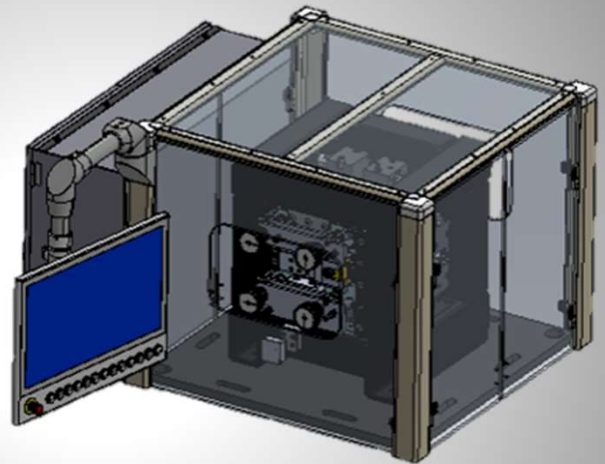
XtruJog XJ-2

Joggles Straight or Curved Parts

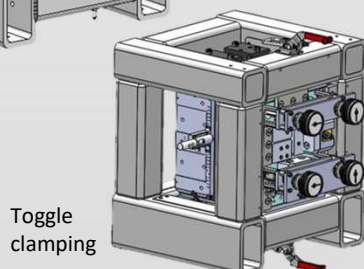
Avoids tooling / part-specific dies

Standard vise jaws can joggle most 90° L- and T- section parts

Quick change jaws for C-, Z-, and other non-standard cross sections



Hydraulic Latching



Toggle clamping

XJ-2 Table-Top Joggling Machine Capabilities

- Automated closed-loop precision joggling machine with
 - PLC control of joggle cycle and joggle depth (up to 0.5"), controlled accurately to 0.001"
 - Handwheels and sensors for setting joggle length (0-2"), and angle across bend (0-10°)
- Shear-type minimal-deformation joggling, 15-ton shear force capacity
- Joggling in horizontal plane
- Electrical and hydraulic cabinet along with Safety enclosure
- Full-featured user-friendly GUI with step-by-step guide for easy part programming by programmers and operators
- Database of extrusion cross-sections and part programs
- **Modular Options & Accessories:**
 - Springback measurement & compensation
 - Closed-loop temperature controlled hot joggling
 - Hydraulic latching/closing instead of toggle clamping
 - Soft jaws for special cross-sections:
 - Off 90 T- & L- sections, Z- & C- sections, unequal thickness legs
 - Part supports, flexible conveyors, video monitoring, & remote diagnostics



Fairmount Technologies LLC

sales@fairmounttech.com
Phone: 316.978.3313
455 N Water St Derby, KS 67037

www.fairmounttech.com

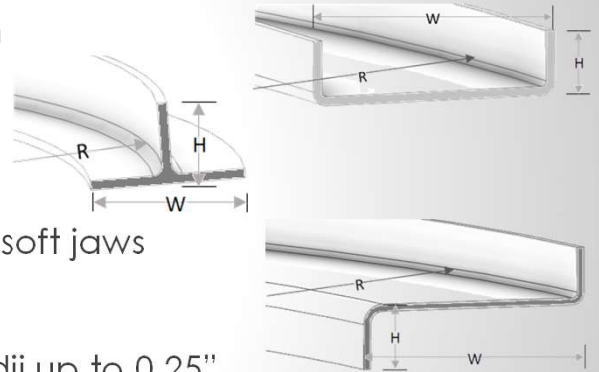
AS9100D, ISO 9001:2015

Part Scope for XtruJog



Modular design
enables
processing a
variety of cross-
sections

- Straight as well as part radius (R) down to 30"
- Tempers: 2024 -O, -T
7075 -O; -T with the hot joggling option
- L- & T- cross sections:
 - Width up to 4" (W)
 - Height up to 2.75" (H)
 - 0.25" max thickness
- C-, Z-, and other cross sections with size specific soft jaws
 - Width from 0.875" to 4" (W)
 - Total height up to 2.25" (H)
 - Sheet thickness 0.032" – 0.25" and fillet radii up to 0.25"
- Modular, quick change, soft-jaw sets for other complex cross sections



Curved production parts joggled by **XtruJog**

